

High performance pumps for pools
Quality and efficiency

Code	HP	A	B	C	Ø D	E	F	G	H	I
20599	3/4 II	562	335	323	50	281	243	366	210	144,5
20601	1 II	562	335	323	50	281	243	366	210	144,5
20603	1,5 II	592	366	323	63	281	243	366	210	144,5
20605	2 II	592	366	323	63	281	243	366	210	144,5
23045	3 II	674	414	323	75	281	243	366	210	144,5

sizes in mm

230 V II 50 Hz	230/400 V III 50 Hz	A			P1 (Kw)		P2 (Kw)		HP	uF	H(m)						
		230 V II	230 V III	400 V III	II	III	II	III			Q (m³/h)						
											6	8	10	12	14	16	18
20599	20600	3,75	2,8	1,6	0,82	0,82	0,61	0,6	0,75	18	16	14	11	7,5	-	-	-
20601	20602	4,9	3,1	1,8	1,05	1,02	0,78	0,77	1	20	20	18	16	14	11	-	-
20603	20604	6,8	4,5	2,6	1,46	1,4	1,1	1,1	1,5	25	27	24	21,5	18	14	10	-
20605	20606	8,1	5,5	3,2	1,85	1,81	1,5	1,46	2	35	32	29	26	23	18	12	-
23045	20607	13,5	7,8	4,5	2,95	2,7	2,2	2,2	3	50	39	36	34	30	27	22	17

We reserve the right to change all or part of the features of the articles or contents of this document, without prior notice.



Your Dealer:
Chainaris Phuket Engineering Co., Ltd.
63/13 Moo.2, T.Vichit, A.Muang Phuket 83000
Tel. 076-513100-3 Fax. 076-513105
www.chainaris.co.th



ASTRALPOOL  www.astralpool.com.au
or sales@astralpool.com.au

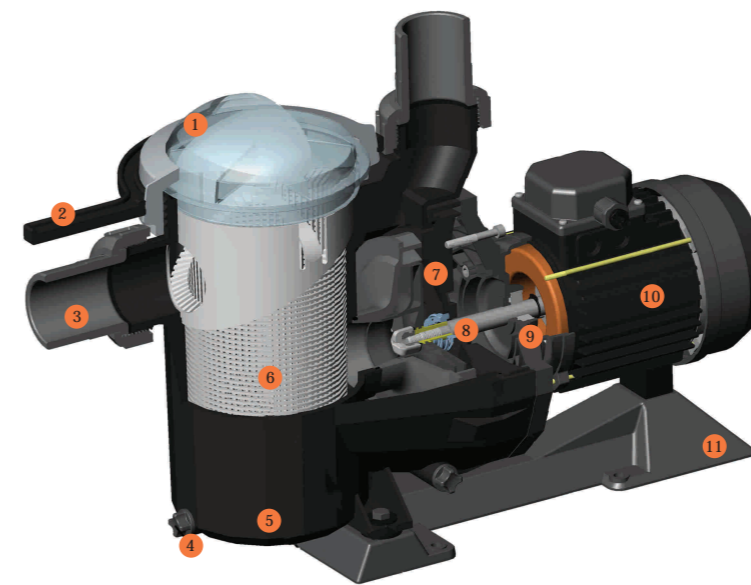
Melbourne Office Ph: 03 9765 9700 Fax: 03 9765 9770	Sydney Office Ph: 02 9853 2100 Fax: 02 9853 2170	Brisbane Office Ph: 07 33085400 Fax: 07 3308 5470
Gold Coast Office Ph: 07 5552 2600 Fax: 07 5552 2670	Adelaide Office Ph: 08 8349 2500 Fax: 08 8349 2570	Perth Office Ph: 08 9350 2600 Fax: 08 9350 2670

ASTRALPOOL 
V I C T O R I A



Characteristics:

- All pump parts manufactured of engineering plastics to prevent problems with corrosion.
- Diffuser body made of Luranyl® and impeller made of Noryl® with fiberglass, for superb resistance and finish.
- Mechanical seal in AISI-316 stainless steel and silicon carbide.
- Class F insulation and IP-44 motor protection.
- Ball bearings protected against the effects of humidity.
- Self-priming up to 2 metres.
- Stainless steel nuts and bolts for the pump.



- 1 Transparent prefilter lid.
- 2 Prefilter lid mechanism.
- 3 Connection hoses from 40mm to 50mm.
- 4 Easy-to-open bleeder plug.
- 5 Prefilter with 4.7-litre capacity.
- 6 Self locating prefilter basket to prevent solid particles from entering the hydraulics.
- 7 Noryl® impeller.
- 8 Mechanical seal in AISI 316; fixed part in silicon carbide.
- 9 Ball bearings suitable for working at high temperatures and high rates of humidity.
- 10 Class F insulation motor. IP-44 rating.
- 11 Extra-stable pump base.

High performance, low noise level, large built-in prefilter

The Victoria line of pool pumps from AstralPool offers excellent features in a pump manufactured of engineering plastics and high-quality stainless steel to ensure top-of-the-line performance. Solid particles are retained by the large-capacity prefilter, preventing them from entering the hydraulic system of the pump.

Characteristics:

This single-stage, self-priming centrifugal pump comes with a single-phase or three-phase motor with a power rating that ranges from 3/4 HP to 3 HP. The new generation of Euro-voltage motors in the Victoria range allows the pump to operate within $\pm 10\%$ of the rated voltage of the motor. As a result, the pump motor will continue to operate normally, even with voltage dips and surges of up to 10%. In addition, all metal parts in contact with water are manufactured of AISI-316 stainless steel to maximize service life. Moreover, an IP-44 housing prevents solid particles and liquids from entering the motor, and the Class F insulation of the motor allows the Victoria pump to be installed in areas with high humidity levels and high temperatures.

The Victoria pump is perfect for meeting the needs of private pools and spas in any environment or location.

Large-capacity prefilter

The Victoria pumps feature a prefilter with a large capacity (4.7 litres) allowing the convenience of longer cleaning intervals.



Rapid inspection

The prefilter is fitted with a transparent lid for rapid inspection of dirt built-up in the prefilter without the need to open the lid.

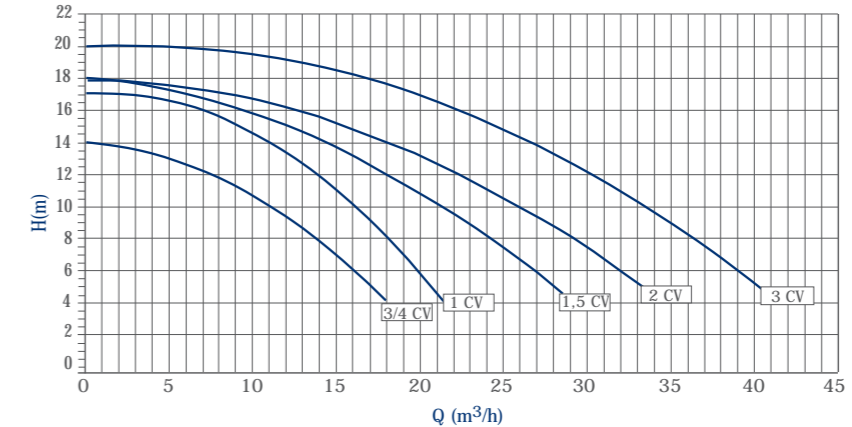


New generation lid nut

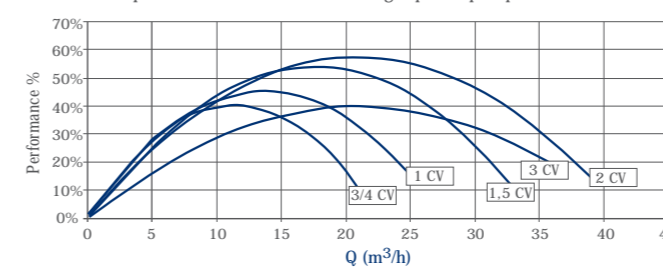
Easy-to-operate prefilter lid nut that uses a built-in mechanism for opening and closing.



Performance curve Victoria



Total performance-flow curve for single-phase pumps



Input power-flow curve for single-phase pumps

