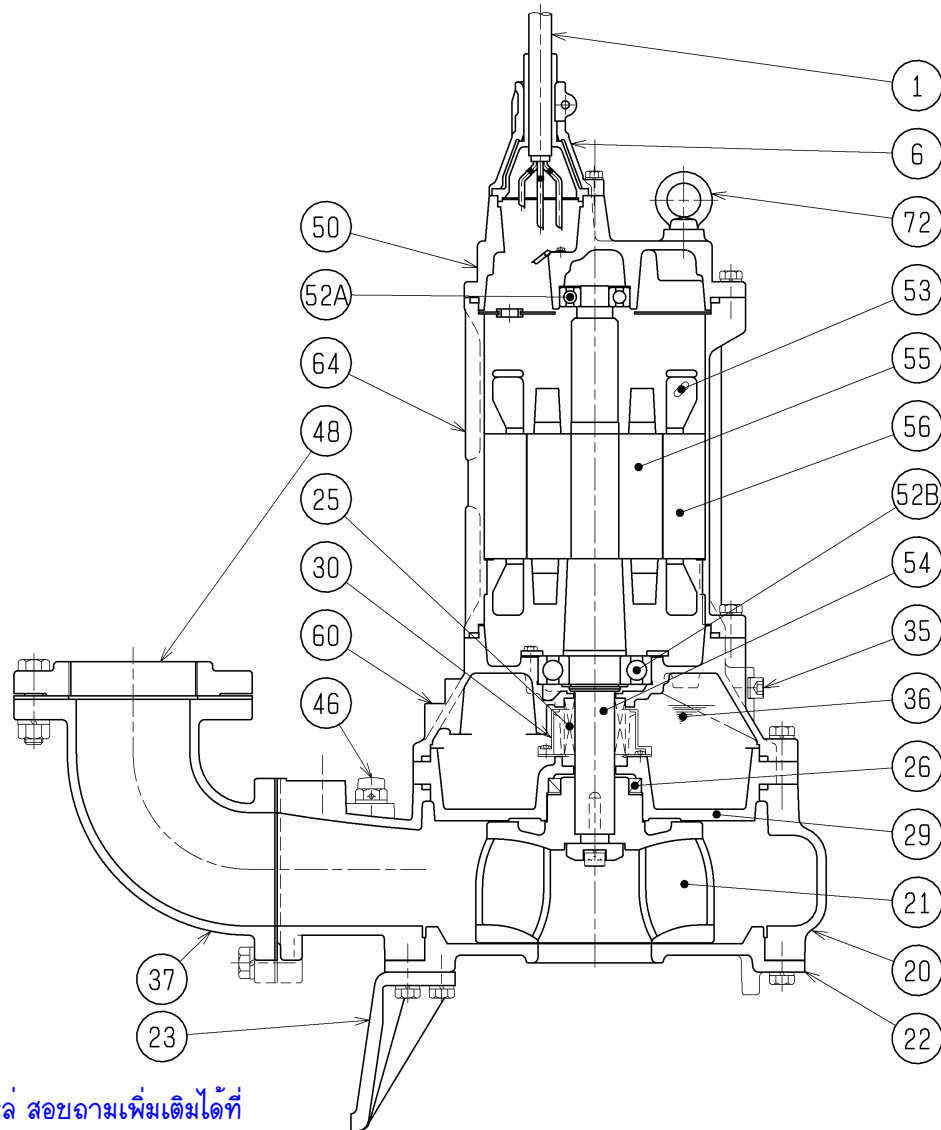


|                          |   |       |                                      |
|--------------------------|---|-------|--------------------------------------|
| <b>SECTIONAL DRAWING</b> |   | No.   | No. A-19406-1                        |
| TYPE                     | Sewage Submersible<br>Channel Impeller Pump | MODEL | 100BZ45.5 -53/63<br>100BZ47.5 -53/63 |



สนใจชิ้นส่วนอะไหล่ สอบถามเพิ่มเติมได้ที่

Tel: 076-513100-3 หรือ LINE: @chainarissshop ได้เลยครั้บ



|                    |
|--------------------|
| REQ. SPECIFICATION |
|                    |
|                    |

|       |         |
|-------|---------|
| ※1    |         |
| 5.5kW | 6305ZC3 |
| 7.5kW | 6306ZC3 |

| No. | DESCRIPTION       | Q'TY | MATERIAL / NOTE        | No. | DESCRIPTION     | Q'TY | MATERIAL / NOTE       |
|-----|-------------------|------|------------------------|-----|-----------------|------|-----------------------|
| 1   | Cabtyre Cable     | 2    | Chloroprene Sheath     | 48  | Screwed Flange  | 1    | Gray Iron Casting     |
| 6   | Stuffing Box      | 1    | Gray Iron Casting      | 50  | Motor Bracket   | 1    | Gray Iron Casting     |
| 20  | Pump Casing       | 1    | Gray Iron Casting      | 52A | Upper Bearing   | 1    | ※1                    |
| 21  | Impeller          | 1    | Gray Iron Casting      | 52B | Lower Bearing   | 1    | 6309ZC3               |
| 22  | Suction Cover     | 1    | Gray Iron Casting      | 53  | Motor Protector | 3    |                       |
| 23  | Stand             | 3    | Gray Iron Casting      | 54  | Shaft           | 1    | Stainless Steel 420J2 |
| 25  | Mechanical Seal   | 1    | H-35A                  | 55  | Rotor           | 1    |                       |
| 26  | Oil Seal          | 1    | TC608212               | 56  | Stator          | 1    |                       |
| 29  | Oil Casing        | 1    | Gray Iron Casting      | 60  | Bearing Housing | 1    | Gray Iron Casting     |
| 30  | Oil Lifter        | 1    | Plastic                | 64  | Motor Frame     | 1    | Gray Iron Casting     |
| 35  | Oil Plug          | 2    | Stainless Steel 304    | 72  | Eyebolt         | 2    | Structure Steel       |
| 36  | Lubricant         |      | Turbine Oil (ISO VG32) |     |                 |      |                       |
| 37  | Discharge Bend    | 1    | Gray Iron Casting      |     |                 |      |                       |
| 46  | Air Release Valve | 1    | Nylon                  |     |                 |      |                       |